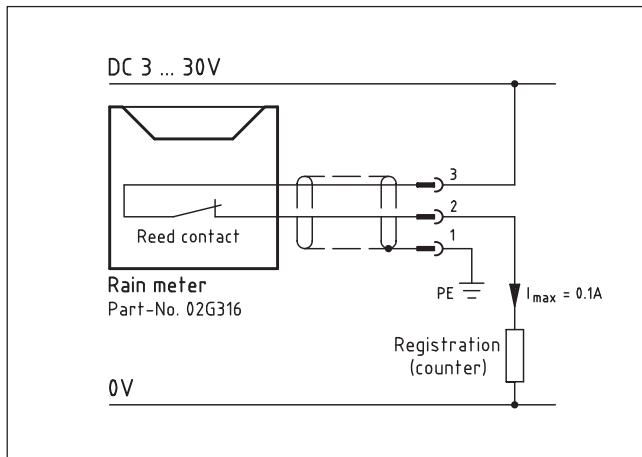
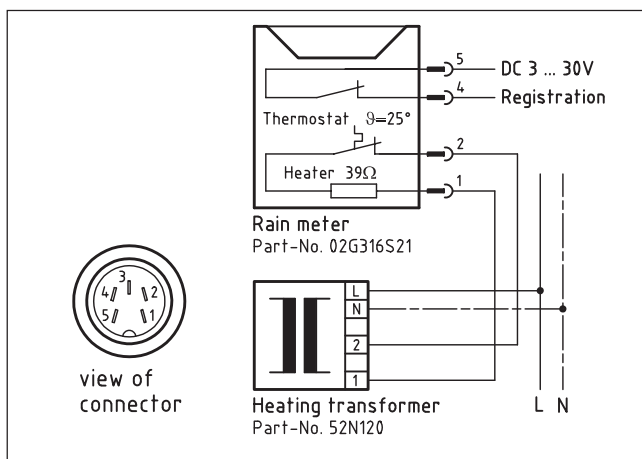


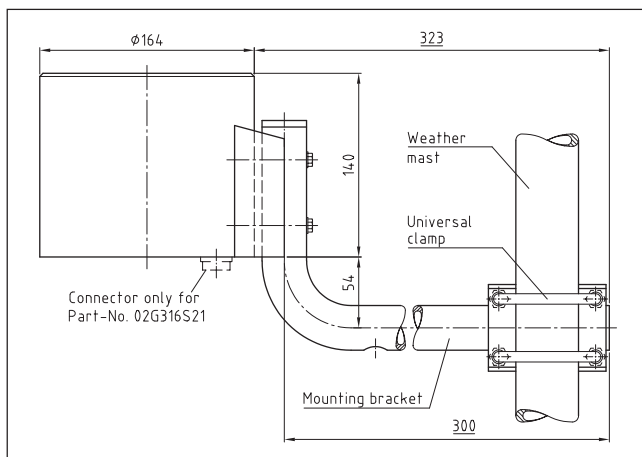
Rain meter



Connection diagram without heating



Connection diagram with heating



Dimensions in mm

Application:

The rain meter serves for measuring the rain quantity.

Functional description:

Rain water is collected in a funnel and then lead to a tipping tray. When a certain rain quantity (max. 0.2mm) is collected the tray tips and converts the quantity in to a digital signal via a reed contact. The reed contact is normally closed and

Measuring medium:

Non aggressive rainwater, not under pressure.

Maintenance:

Maintenance intervals depend on the degree of air pollution. Sediments in the sieve can be

The heating version recognises both rain and snow.

when activated, opens for approx. 260ms. To avoid measurement errors, the tray should not tip more often than 5...6 times per minute, which corresponds to 1...1.2l/minutes or 60...72l rain/h. Higher quantities are not registered.

cleaned by rinsing with lukewarm water.



The unit must be connected by trained electrical personnel. All valid standards for connecting electrical equip-

ment must be observed. Limit values for the supply voltage of the unit may not be exceeded.

Technical data general

Supply voltage	DC 3...30V, $I_{max} = 0.1A$
Sensor type	tipping tray
Output	reed contact NC
Sensitivity	1 x tipping is 0.2mm (= 0.2l/m ²)
Accuracy	±5%
Collecting surface	200cm ²
Duration of bounce	<1.5ms
Housing and meas. element	ABS, RAL 9010
Protection class acc. to EN 60529	IP54
Dimensions	140 x Ø 164mm
Weight	approx. 1.12kg

Technical data 02 G 316

Connection cable	5m, LiYCY 2 x 0.34mm ² , shielded
Connector	3-pin, CE100F22-3-C

Technical data 02 G 316 S21

Supply voltage (only for heating)	AC/DC 30V max. 50VA
Heating	thermostatically controlled
Switching point	25°C
Connection	5-pin connector

Ordering information

Rain meter	02 G 316
Rain meter with heating	02 G 316 S21
Mounting bracket Ø 34mm (for weather mast)	HH13034
Universal clamp (for weather mast Ø 25-50mm)	HH13000

Subject to technical modifications without notice



Rua Dr. Afonso Cordeiro, 80
4450-001 MATOSINHOS
Tel. +351. 229 385 139
Fax. +351. 229 385 140
www.dicofiltro.com
geral@dicofiltro.com